



BENEFITS OF REPLACING AN OLD GRADUATE OR EDPAC UNIT WITH A NEW CLASSMATE SYSTEM

INCREASE EFFICIENCY WITH MINIMAL CHANGES TO EXISTING CONDITIONS

MINIMAL TO NO CHANGES TO EXISTING DUCT WORK REQUIRED



The ClassMate uses CF® technology (microchannel evaporator coil) for unmatched efficiency and performance



Cooling Efficiency (EER)				
	2	3	4	5
ClassMate DX/HP	12.1/11.2	11.0/11.0	11.6/11.0	11.0/11.0
Graduate	9.4	9.3	9.2	8.8
% Increase	28.7/19.2%	18.3/18.3%	26.1/19.6%	25.0/25.0%

*EER calculated at AHRI standard conditions

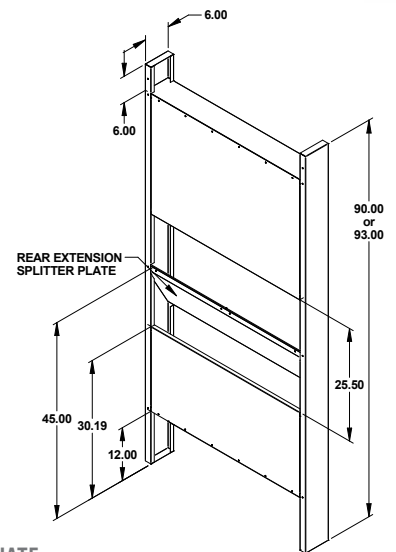
Heating Efficiency (COP)				
	2	3	4	5
ClassMate HP	3.4	3.7	4.0	3.5
Graduate	1.8	1.9	1.8	1.9
% Increase	88.9%	94.7%	122.2%	84.2%

*COP calculated at AHRI standard conditions
*Above figures do not include benefit of multi-stage compressor and fan operation. For IPLV ratings and part load efficiency information, please contact your local Airedale representative

MINIMAL BOOKSHELF MODIFICATIONS

Unit Dimensions					
	ClassMate (2-3 tons)	ClassMate (4 tons)	ClassMate (5 tons)	Graduate (2-5 tons)	EdPac (2-5 tons)
Height	90"	90"	93"	83.125"	84.875"
Width	42"	48"	48"	43"	42.5"
Depth	36"	36"	36"	35.625"	32.25"

*Shows depth with 6" rear extension needed to fit current wall opening

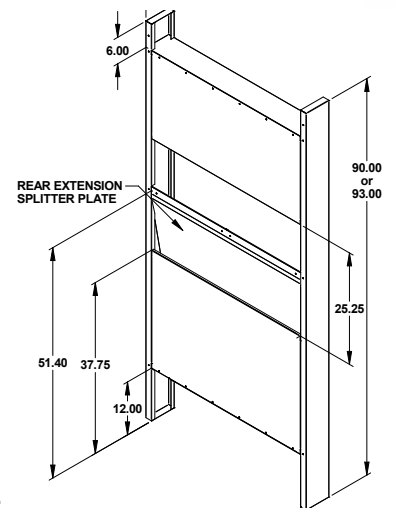


GRADUATE
Replacement
Rear Extension

KEEP SAME BUILDING ENVELOPE OPENINGS* (6" REAR EXTENSION AVAILABLE)

Wall Sleeves			
	Graduate	EdPac	
Sill Height	30.188"	37.75"	The ClassMate can accommodate Graduate or EdPac existing wall opening conditions with 6" rear extension
Height	27.5"	27.25"	
Width	34.75"	35.875"	

*Unit expected to mechanically operate as intended. Smaller opening adds extra static pressure to unit
*Face velocity should be calculated to ensure no water/precipitation infiltration; calculations may result in needed larger wall opening



EDPAC
Replacement
Rear Extension

To learn more, visit
www.modinevac.com
or call 800-828-4228

- Follow us @ModineHVAC
- See us at YouTube.com/ModineHVAC
- www.facebook.com/ModineHVAC/
- www.linkedin.com/company/modinevac/

Modine Manufacturing Company
1500 DeKoven Avenue
Racine, Wisconsin 53403-2552
©2019 Modine Manufacturing Co.

