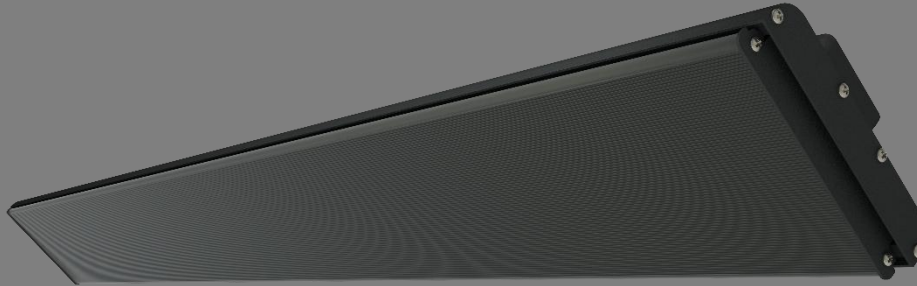


# INSTALLATION, OPERATION AND MAINTENANCE MANUAL

## ELECTRIC RADIANT INFRARED HEATER



MODELS	PART NUMBER	VOLTAGE (V)	TOTAL POWER (W)	CURRENT (AMPS)
MES15A01	80313	120	1500	12.5
MES32A11	80314	208	3200	15.4
MES32A12	80315	240	3200	13.3



### FIRE/EXPLOSION HAZARD WARNING

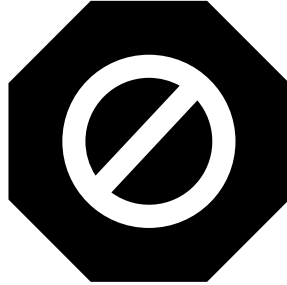
NOT FOR USE IN HAZARDOUS OR EXPLOSIVE ATMOSPHERES



During operation, always ensure combustible materials are kept at a safe distance from the heater body and from the emitted radiant energy. This heater is not intended for use in hazardous areas where flammable vapours, gases, liquids or other combustibles are present. Failure to do so can result in personal injury/or property damage.



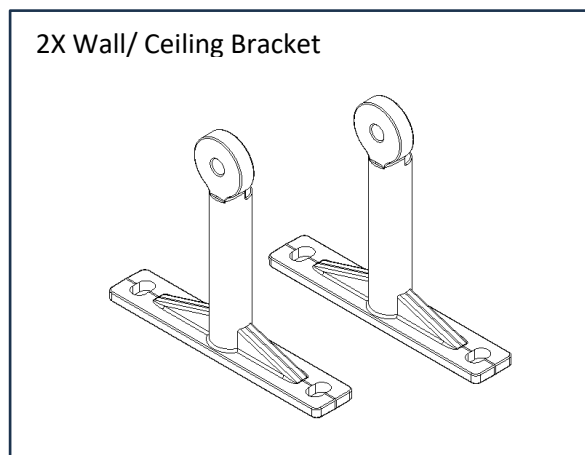
**FOR OUTDOOR COVERED OR INDOOR USE, IN BOTH COMMERCIAL AND RESIDENTIAL LOCATIONS IN MODERATE CLIMATES**



# STOP!

**Once this product is installed, it cannot be returned. To qualify for return, the unit must include original packaging and all accessories.**

**Please confirm all accessories are present during first unboxing!**



**For Technical support, do not uninstall the heater!**

**We can't troubleshoot if the heater is removed! Warranty will not be provided without physical troubleshooting. For service support, contact your product dealer or distributor with the following information:**

1. A copy of your sales receipt
2. A picture of the heater, showing distances to the ceiling and nearby walls
3. A picture of the rating label on the back of the heater
4. A brief description of the issue

## TABLE OF CONTENTS

1 - SAFETY.....	4
2 - INSTALLATION INSTRUCTIONS.....	6
2.1    INSTALLATION CLEARANCES .....	6
2.2    INSTALLATION ON ANGLED CEILINGS .....	7
2.3    INSTALLATION ON HIGH CEILINGS .....	7
2.4    ELECTRICAL INSTALLATION .....	8
2.5    WALL-MOUNTED INSTALLATION .....	8
2.6    CEILING MOUNTED INSTALLATION .....	9
2.7    ADJUSTING DIRECTIONAL POSITIONING.....	9
3 - MAINTENANCE.....	10
3.1    CLEANING .....	10



### WARNINGS



**THIS ELECTRIC APPLIANCE PRODUCES INFRARED HEAT, FAILURE TO FOLLOW WARNINGS AND INSTRUCTIONS CAN CAUSE FIRE, ELECTRIC SHOCK, OR INJURY.**



**Heater must be installed by a certified electrician and installation must adhere to all local, state and national electric codes.**



### READ AND SAVE THESE INSTRUCTIONS

Please read this owner's manual carefully before using the unit and keep this manual for future reference.  
USE THIS HEATER ONLY AS DESCRIBED IN THIS MANUAL. ANY OTHER USE NOT RECOMMENDED BY THE MANUFACTURER MAY CAUSE FIRE, ELECTRIC SHOCK OR INJURY TO PERSONS.

**Notice:** Changes or modifications not approved by the party responsible for compliance will void the user's authority to operate the equipment.

# IMPORTANT INSTRUCTIONS

When using electrical appliances, basic precautions should always be followed to reduce the risk of fire, electric shock, and injury to persons, including the following outlined in section 1 – SAFETY. **Read all instructions before installing or using this heater. This heater must be used strictly according to these instructions.**

## 1 - SAFETY



- **This product must be installed by a certified electrician and must adhere to all local, state, provincial and national electric codes (NEC/ CEC). No cable is supplied with the heater. Use supply wires rated for at least 105°C / 221F!**
- Failure to precisely follow safety warnings could result in serious injury or property damage.
- This heater has hot surfaces and arcing or sparking parts inside. Do not use the heater in areas where gasoline, paint or flammable vapors or liquids are used or stored.
- Check if the voltage indicated on the nameplate of the appliance corresponds to the local mains voltage before connecting the appliance.
- Specified minimum clearances from front, sides, bottom and back of unit must be met. Failure to meet clearance minimums can result in fire.
- **Heater is not to be recessed!**
- Keep combustible materials, such as furniture, pillows, bedding, papers, clothes, curtains, etc. at least 6 feet (1.8m) from the front of the heater and keep them away from the sides and rear.
- Do not direct the radiant part of the heater towards the ceiling.
- This heater is not to be installed or used in an area containing hazardous or flammable materials including but not limited to rags, fabrics, spray or aerosol cans, cleaning compounds, plastic containers, paper products, organic dusts, straw/hay, gasoline, kerosene, lighter fluid, etc.
- To prevent a possible fire, do not block air intakes or exhaust in any manner.
- Do not allow combustible materials contact the heater due to wind or other environmental factors.
- Do not insert or allow foreign objects to enter any ventilation or exhaust opening as this may cause an electric shock or fire, or damage to the heater.
- Do not cover the heater in any manner, do not hang clothing on or near the heater.
- **Caution!** Do not use the heater together with another appliance connected to the same supply line or connected to the same breaker.
- This heater must be properly grounded.
- The power cord must not be left on or around the heater body.
- **WARNING!** This heater is not equipped with a thermostat or temperature control device. Do not install the heater in an enclosed space. If installed indoors, consult national electric code, Canadian electric code to determine if temperature control is required.
- Remove all packaging materials, including emitter anti vibration inserts prior to using the heater.
- Heater is not for use in bathrooms, laundry areas or other locations where unit could fall into water.
- **DO NOT MOUNT THE HEATER VERTICALLY!** Heater must be installed so the elements are horizontal. Failure to mount the unit horizontally will cause premature failure of the elements. **Mounting the heater vertically will void the warranty.**
- Do not use the heater if it has been dropped or damaged in any way. Ensure the emitter is not cracked or chipped visually. Contact an authorized dealer for support.

- Do not install this product directly below a receptacle or wall socket outlet.
- Do not use the heater if the power cord is damaged. Contact an authorized servicer or qualified electrician to replace the cord prior to use.
- Unplug the appliance when it is not in use for long periods of time, or for cleaning and maintenance.
- The heater must be installed at level on a flat, stable surface, rigid enough to safely withstand the weight of the heater and the heater must not be covered by any flexible material, such as carpets, plastic or fabric.
- Some materials are more sensitive to heat than others. Allow for extra clearance to these materials to prevent damage during use.

---

#### CLEANING AND MAINTENANCE

---

- To avoid property damage, personal injury or death due to electrical shock DO NOT service the unit without turning the unit OFF and disconnecting the heater from the main power supply.
- Before cleaning the unit or replacing the emitter, turn off the main power. Make sure the heater and/or the emitter is cool before handling.
- Service must be performed only by a qualified service technician.

---

#### OPERATION

---

- **Caution! Risk of scald injury!** This heater is hot when in use. To avoid burns, do not let bare skin touch hot surfaces.
- This appliance is not intended for use by persons (including children) with reduced physical, sensory or mental capabilities, or lack of experience and knowledge, unless they have been given supervision or instruction concerning use of the appliance by a person responsible for their safety.
- Never leave the heater unattended while it is operating.
- Do not operate any heater after it malfunctions. Disconnect power at service panel and have heater inspected by an electrician before reusing.
- Do not use the heater to light cigarettes or similar materials.
- Do not insert objects in heater openings. Electrical shock could result.
- To disconnect heater, turn controls to off, and turn off power to the heater circuit at the main disconnect panel.

**SAVE THESE INSTRUCTIONS**

## 2 - INSTALLATION INSTRUCTIONS

**Heater installation must be carried out by qualified personnel in compliance with local National Codes (NEC) as well as any other applicable standards. Failure to comply with applicable requirements could result in personal injury and/or property damage. Wiring procedures and connections shall be made in accordance with national and local electrical codes having jurisdiction.**

MODINE infrared panel heaters produce both radiant and convective heat that warms people and the air around them. This heater includes standard 4" brackets which allow the user to direct the radiant heat where desired.

**To reduce the risk of fire, do not store or use gasoline or other flammable vapors and liquids in the vicinity of the heater.**

### 2.1 INSTALLATION CLEARANCES



**DANGER FIRE HAZARD**

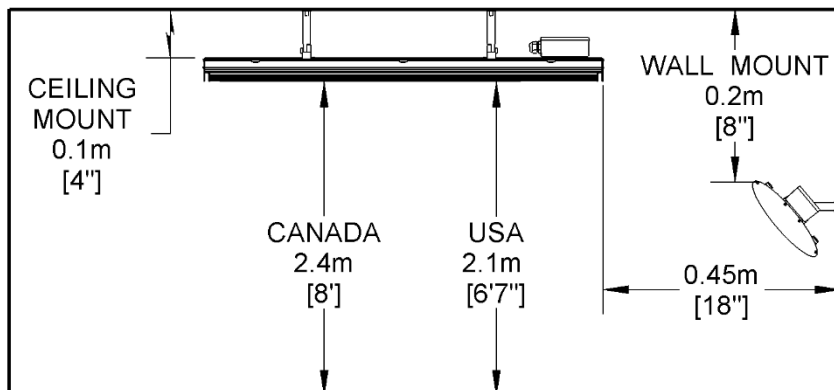


The minimum clearances indicated on the nameplate and in the user manual must be observed at the time of installation. Clearances are based on a surface temperature of 194°F (71°C). Building materials with low heat tolerance may be subject to degradation at lower temperatures. It is the installer's responsibility to assure adjacent materials have sufficient heat tolerance. Mount heaters at least 24" apart.

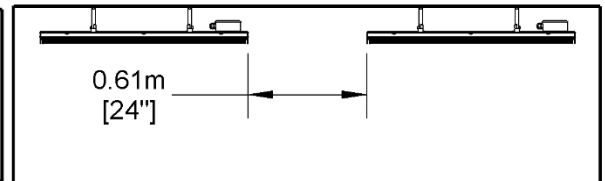
**CAUTION:** High temperatures are present, risk of fire! Keep electrical cords, drapery, furnishings and other combustibles at least 6 feet (1.8m) from the front of the heater and away from the sides and rear. This heater works best when installed 8' in Canada, and 7' in USA when measured to the bottom of the heater. The minimum mounting height in Canada is 8', and 6'7" in USA measured to the bottom of the heater. In outdoor environments it is not recommended to mount the bottom of the heater above 8'. This heater is supplied with a standard 4" bracket. Additional mounting brackets are available at lengths of 1', 2' and 4' (0.3m, 0.6m and 1.2m) to satisfy optimal mounting height.

Heater Model	Minimum Mounting Height	Ceiling Clearance, wall mount	Ceiling clearance, Ceiling mount	Adjacent Walls
MES15A01 MES32A11 MES32A12	6'7" (2.1m) – USA 8' (2.4m) - CANADA	8" (0.2 m)	4" (0.1 m)	18" (0.45 m)

*HEATER CLEARANCES*



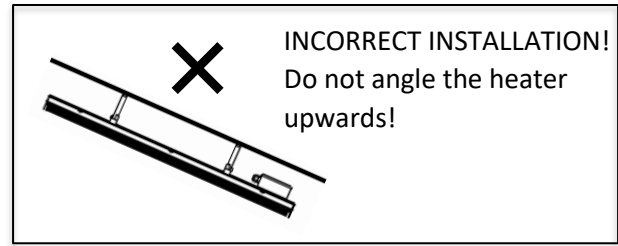
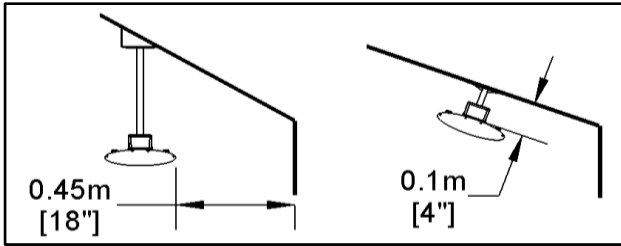
*DISTANCE BETWEEN HEATERS*



**FIRE HAZARD!**

**HEATER MUST NEVER BE POINTED TOWARDS WALLS OR CEILINGS!  
HEATER MUST POINT STRAIGHT DOWN WHEN CEILING MOUNTED!**

## 2.2 INSTALLATION ON ANGLED CEILINGS



When ceiling mounting using included brackets, always mount heater parallel to the ceiling! To angle heater towards the floor, use suspension brackets to space heater away from ceiling. Installer to create flat mounting surface on angled ceiling to affix brackets to.

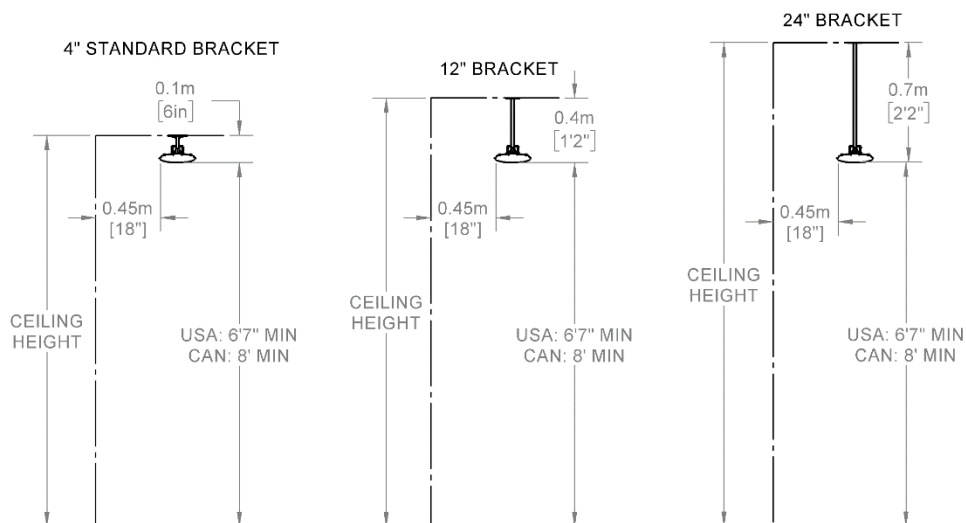
## 2.3 INSTALLATION ON HIGH CEILINGS

When installing the heater on high ceilings, it is highly recommended to suspend the heater to ensure optimal heating performance. In outdoor environments it is not recommended to mount the bottom of the heater above 8' in CANADA and 7' in USA. This section will help the installer select an optimal extension bracket to ensure the heater is installed at the optimal height.

Use the charts below to help select an appropriate suspension bracket to maintain 8' mounting height in CANADA and 7' mounting height in USA.

USA	Suspension bracket selection for 6'7" minimum mounting height PER UL 2021		
	Ceiling Height		
Ceiling Height, Inches	7' - 7'9"	7'9" - 8'9"	8'9" - 10'9"
Extension Bracket to use: ALL units: 1500 / 2400 / 3200 W	Standard 4" bracket	12" bracket	24" bracket

CANADA	Suspension bracket selection for 8' minimum mounting height PER CSA 22.2 NO.46		
	Ceiling Height		
Ceiling Height, Inches	8'6" - 9'2"	9'2" - 10'2"	10'2" - 12'2"
Ceiling Height, Meters	2.4m - 2.8m	2.8m - 3.1m	3.1m - 3.7m
Extension Bracket to use: ALL units: 1500 / 2400 / 3200 W	Standard 4" bracket	12" bracket	24" bracket



## 2.4 ELECTRICAL INSTALLATION

### Safety Precautions

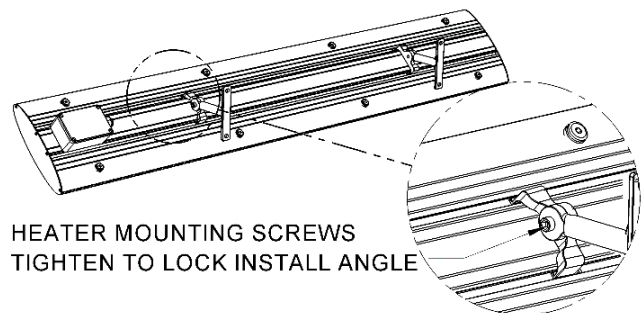
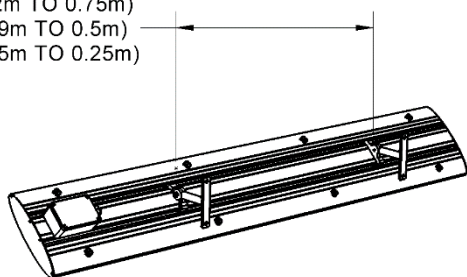
1. Each power supply circuit must be properly grounded.
2. Use a certified ground fault protection device for wet environment installations.
3. Use a proper electrical connection box.
4. Supply voltage and frequency must correspond to the electrical rating indicated on unit's information plate.

## 2.5 WALL-MOUNTED INSTALLATION

**NOTE: This heater must be installed with overhead cover when used outdoors. This heater is not recommended for use outdoors in northern climates and is the heat is susceptible to wind loss!**

1. Take the heater out of the box and remove all protective foam inserts.
2. The heater comes with standard 4" brackets. Spacing between the brackets must be between:

3200W: 48" TO 30" (1.2m TO 0.75m)  
2400W: 36" TO 20" (0.9m TO 0.5m)  
1500W: 18" TO 10" (0.45m TO 0.25m)



**CAUTION: If there is any question regarding security of the bolts and fixtures, contact a professional contractor.**

3. Select the installation location on the wall by identifying the studs or structural beams that will allow the heater to be securely attached.

**WARNING: Ensure minimum clearances outlined in section 2.1 are met.**

4. Securely fasten the brackets to the mounting surface. **NOTE:** Wall bolts or anchors are not supplied. Select an appropriate size to provide adequate support for the weight of the unit and take into consideration any wind load conditions.

5. Mount the heater to the brackets with the terminal box at the right side of the heater using the screws provided.
6. Adjust the heater to the desired directional angle, then fix in this position by tightening the fixing bolts on the brackets at the back of the heater.
7. Secure the electrical supply cable so it does not contact the heater body or obstruct the air vents. Follow local and national electrical code requirements.

The angles of attachment are 20° to 70°, measured from the mounting wall.

## 2.6 CEILING MOUNTED INSTALLATION



### WARNING

Heater should be hung using rigid mounting brackets, the unit must not be able to swing in any direction under applied load from wind or persons. This heater may be installed using chain indoors only.

1. Secure the heater to the mounting brackets using nuts and washers provided.
2. Select the installation location on the ceiling by identifying the studs or structural beams that will allow the heater to be securely attached.  
**NOTE:** ceiling bolts or anchors are not supplied. Select an appropriate size to provide adequate support for the weight of the unit, while taking into consideration any wind load conditions:
  - a. Model # MES15A01 – 12.5lbs
  - b. Model # MES32A11 - 22lbs
  - c. Model # MES32A12 - 22lbs
3. Attach the unit to the ceiling using the ceiling brackets and user selected bolts.
4. The heater can be hung vertically or pointed at a maximum angle of 45° from vertical.  
**NOTICE: NEVER direct the infrared heat produced by the appliance at an adjacent wall.**
5. Secure the electrical supply cable so it does not contact with the heater body or cover the heater air vents.

## 2.7 ADJUSTING DIRECTIONAL POSITIONING



### WARNING

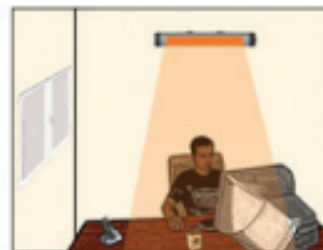
Never attempt to move or adjust the heater angle while it is running. Personal injury could result.

1. Turn off the heaters electrical supply line from the main power supply.
2. Allow the heater to cool before adjusting the angle.
3. Loosen the fixing bolts on the brackets at the back of the heater; adjust the heater as desired, then re-tighten the fixing bolts.

**Notice:** The unit produces radiant heat in addition to heating air in the environment it is installed. Install this heater at an angle which points the front face of the heater at the target area to be heated. Do not point the heater at windows or at vacant spaces, as the heat will not be delivered to the occupants.



INCORRECT



CORRECT

## 3 - MAINTENANCE



### WARNINGS



1. Allow the heater and the emitter to cool down before handling.
2. Installation and maintenance must be performed by a qualified technician.
3. Turn off the power before beginning maintenance.
4. Do not attempt to service or repair the unit while it is running.
5. Should the heater be dropped or damaged or malfunction at any time, immediately turn off the main power source and do not use it until it has been examined by an authorized service facility.

### 3.1 CLEANING

To remove dust or dirt on the heater, follow these steps:

1. Disconnect the heater from the main power supply.
2. Ensure the heater is cool before cleaning.
3. Carefully wipe the front face of the heater with a soft, lint-free cloth with a cleaning solution.

*Due to ongoing product improvements, specifications and dimensions are subject to change and correction without notice and without incurring obligations. Determining the application and suitability for use of any product is the responsibility of the installer. Additionally, the installer is responsible for verifying dimensional data on the actual product prior to beginning any installation preparations.*

*Incentive and rebate programs have precise requirements as to product performance and certification. All products meet applicable regulations in effect on date of manufacture; however, certifications are not necessarily granted for the life of a product. Therefore, it is the responsibility of the applicant to determine whether a specific model qualifies for these incentive/rebate programs.*



## WARRANTY

### Heating and Indoor Air Quality Products

This Warranty (the "Warranty") shall apply to Products (as defined below) sold by Modine Manufacturing Company, a Wisconsin corporation ("Seller") to you ("Buyer").

Seller hereby warrants that during the Applicable Warranty Period (as defined below) its Products shall be free from defects in material and factory workmanship under normal use and service, subject to the EXCLUSIONS described below and according to the terms outlined in this Warranty.

If Seller receives written notice of a breach of this Warranty prior to the end of the Applicable Warranty Period (which such notice shall include the model and serial numbers of the Product, as well as the date and a reasonably detailed description of the Product's alleged failure), Buyer shall with Seller's prior written approval, return the applicable Product or component thereof to Seller with shipping charges prepaid; if upon examination by Seller such Product or component thereof is disclosed to have been defective, then Seller will, without charge to Buyer, at Seller's option, either repair the Product, replace defective parts in the Product, or offer an entire replacement unit of the Product; provided that the warranty period for a Product that has been repaired or provided with replacement parts shall not extend beyond the original Applicable Warranty Period, nor shall any replacement parts provided for a Product be under any warranty beyond the original Applicable Warranty Period for the Product; similarly, if Seller provides an entire replacement unit of the Product, the warranty period for the replacement unit is limited to the remainder of the original Applicable Warranty Period. Seller shall have no responsibility for installation, service, field labor, shipping, handling, or other costs or charges, except as expressly provided in this Warranty. Buyer shall have no remedy hereunder for any defective part returned without proper written authorization from Seller, as described above.

For purposes of this Warranty and subject to the exclusions described below, the term "Products" shall mean parts or equipment manufactured by Seller, sold to Buyer pursuant to a purchase contract between Buyer and Seller (most often initiated by a purchase order issued by Buyer and accepted by Seller), and expressly described in such contract. The term "Products" shall not include third-party parts or equipment furnished by Seller, except that, to the extent assignable, Seller will assign to Buyer the benefits (together with all limitations and exclusions) of the third-party manufacturer's warranty for such parts or equipment. This Warranty extends only to the original purchase contract between Buyer and Seller and is nontransferable, except that this Warranty may be assigned to an Authorized End User (as defined below). All replaced parts or equipment shall become Seller's property. For purposes of this Warranty, the term "Applicable Warranty Period" shall mean the warranty period set forth in the table below for each type or class of Product described on the table; provided that, when the Product is to be used as a component part of equipment manufactured by Buyer, the Applicable Warranty Period shall be limited to one (1) year after the date of shipment from Seller, notwithstanding anything in the table below to the contrary. For purposes of this Warranty, the term "Authorized End User" shall mean any third-party that purchases the Product directly or indirectly from Buyer for the Authorized End User's own use upon the first installation of the Product and not for resale.

BUYER HEREBY ACKNOWLEDGES THAT ITS REMEDIES FOR BREACH OF THIS WARRANTY, EXCLUSIVE OF ALL

OTHER REMEDIES PROVIDED BY LAW, ARE LIMITED AS DESCRIBED ABOVE.

EXCLUSIONS AND LIMITATIONS: This Warranty is subject to the following exclusions and limitations:

The term "Products" shall not include and this Warranty shall not apply to any of the following items: refrigerant gas, belts, filters, fuses and other items consumed or worn out by normal wear and tear.

In addition, this Warranty shall not apply to:

- (1) Products or components thereof that are damaged or adversely affected by conditions beyond Seller's control, including but not limited to polluted or contaminated or foreign matter contained in the air or water utilized for heat exchanger (condenser) cooling or if the failure of the part is caused by improper air or water supply, or improper or incorrect sizing of power supply;
- (2) Any Products or components thereof which have been repaired or altered outside the factory of Seller in any way, or otherwise subject to unauthorized repairs or alterations, so as, in the judgment of Seller, to affect the Product's durability or performance;
- (3) Materials or labor of any kind not furnished by Seller, or any charges for any such labor or materials, whether such labor, materials or charges thereon are due to replacement of parts, adjustments, repairs, or any other work done by any party other than Seller;
- (4) Labor or other costs incurred for diagnosing, repairing, removing, installing, shipping, servicing, or handling of either defective or replacement parts;
- (5) Any Products removed from their original location for reinstallation in another location;
- (6) Any Products or components thereof which have been operated, maintained, or serviced contrary to Seller's written installation, operation, and/or servicing instructions or owner's manual;
- (7) Damages resulting from operation with an inadequate or interrupted supply of air or water;
- (8) Any Products or components thereof which have been subjected to misuse, negligence, faulty installation, improper servicing, accident, excessive thermal shock, excessive humidity, physical damage, impact, abrasion, improper operation, or other operating conditions in excess of or contrary to those for which such equipment was designed;
- (9) With respect to gas-fired or oil-fired units, any Products or components thereof if the input to the Product exceeds the rated input (as indicated on the Product's serial plate) by more than five percent (5%);
- (10) Any Products or components thereof which, in the judgment of Seller, have been installed in a corrosive atmosphere, marine, or coastal application, subjected to corrosive fluids or gases, or damaged or adversely affected by the effects of the physical or chemical properties of water or steam or other liquids or gases used in the Products or any component thereof;
- (11) Damage or failure to start resulting from improper voltage conditions, blown fuses, open circuit breakers, or other inadequacy or interruption of electrical service or fuel supply; or
- (12) Any Products or components thereof from which the serial

number has been altered, defaced or removed.

BUYER AGREES THAT THE WARRANTIES AND REMEDIES DESCRIBED HEREIN ARE THE ONLY WARRANTIES AND REMEDIES PROVIDED BY SELLER WITH RESPECT TO THE PRODUCTS AND TO THE MAXIMUM EXTENT PERMITTED UNDER APPLICABLE LAW SHALL BE IN LIEU OF AND EXCLUSIVE OF ALL OTHER WARRANTIES AND REMEDIES WHATSOEVER, EITHER EXPRESS OR IMPLIED, WHETHER ARISING FROM LAW, COURSE OF DEALING, USAGE OF TRADE, OR OTHERWISE, **INCLUDING BUT NOT LIMITED TO WARRANTIES OF MERCHANTABILITY, FITNESS FOR A PARTICULAR PURPOSE, AND NON-INFRINGEMENT, EACH OF WHICH SELLER HEREBY EXPRESSLY DISCLAIMS.** SELLER NEITHER ASSUMES (NOR HAS AUTHORIZED ANY PERSON TO ASSUME) ANY OTHER WARRANTY OR LIABILITY IN CONNECTION WITH ANY PRODUCTS. REPRESENTATIONS AND CONDITIONS, EXPRESS OR IMPLIED BY STATUTE, TRADE USAGE, OR OTHERWISE, ARE EXCLUDED AND WILL NOT APPLY TO THE PRODUCTS UNDER THIS WARRANTY, EXCEPT FOR WARRANTIES WHICH BY LAW CANNOT BE EXCLUDED OR LIMITED. Without limiting the foregoing, Seller makes no and specifically disclaims all representations and/or warranties

that the Products will detect the presence of, or eliminate, prevent, treat, or mitigate the spread, transmission, or outbreak of any pathogen, disease, virus, or other contagion, including but not limited to COVID 19.

BUYER AGREES THAT IN NO EVENT WILL SELLER BE LIABLE FOR COSTS OF PROCESSING, LOST REVENUES OR PROFITS, INJURY TO GOODWILL, OR ANY OTHER SPECIAL, CONSEQUENTIAL, OR INCIDENTAL DAMAGES OF ANY KIND RESULTING FROM THE PURCHASE OF THE PRODUCTS, OR FROM BUYER'S USE OF ANY PRODUCT, WHETHER ARISING FROM BREACH OF WARRANTY, NONCONFORMITY TO ORDERED SPECIFICATIONS, DELAY IN DELIVERY, OR ANY OTHER LOSS SUSTAINED BY THE BUYER.

OPTIONAL SUPPLEMENTAL WARRANTY

Buyer may purchase from Seller a supplemental warranty with respect to Products which shall extend the Applicable Warranty Period as set forth in the express terms and conditions described in the supplemental warranty agreement. Such supplemental warranty terms may include an additional four (4) years on certain compressors, an additional five (5) years "all parts" warranty, an additional four (4) or nine (9) years on certain heat exchangers, and/or such additional supplemental warranty terms as Seller chooses to make available to its customers from time to time.

COMPONENT	APPLICABLE MODELS		APPLICABLE WARRANTY PERIOD (WHICHEVER OCCURS FIRST)	
			Time from Date of First Beneficial Use by Buyer or Authorized End User	Time from Date of Shipment from Seller
Heat Exchangers and/or Coils	Gas Fired Unit Heaters with Tubular Style Heat Exchangers (e.g. HD, HDS, PTS, BTS, etc.)	Aluminized or Stainless Steel	10 YEARS	126 MONTHS
	Gas Fired Unit Heaters with Clam-Shell Style Heat Exchangers (e.g. PDP, BDP, etc.)	Aluminized Steel (not in high-humidity applications)	10 YEARS (must be Stainless Steel in high-humidity applications)	126 MONTHS
		Aluminized Steel (in high-humidity applications)	1 YEAR	18 MONTHS
		Stainless Steel	10 YEARS	126 MONTHS
	Low Intensity Infrared Units		5 YEARS	66 MONTHS
	Indoor and Outdoor Duct Furnaces and System Units, Steam/Hot Water Units, Oil-Fired Units, Electric Units, Cassettes, Vertical Unit Ventilators, Geothermal Units		1 YEAR	18 MONTHS
Burners and Elements	Low Intensity Infrared Units		2 YEARS	30 MONTHS
	High Intensity Infrared and Electric Infrared Units		1 YEAR	18 MONTHS
Compressors	Condensing Units for Cassettes		5 YEARS	66 MONTHS
	Vertical Unit Ventilators, Geothermal Units		1 YEAR	18 MONTHS
Sheet Metal Parts	All Products		1 YEAR	18 MONTHS
Components excluding Heat Exchangers, Coils, Condensers, Burners, Sheet Metal	All Products		2 YEARS	30 MONTHS

As Modine Manufacturing Company has a continuous product improvement program, it reserves the right to change design and specifications without notice.



© Modine Manufacturing Company 2023

**Modine Manufacturing Company**

6-1500 DeKoven Avenue

Racine, WI 53403

Phone: 1.800.828.4328 (HEAT)

www.modinehvac.com

Puisque Modine Manufacturing Company a un programme d'amélioration permanente de ses produits, elle se réserve le droit de modifier la conception et les caractéristiques techniques sans préavis.

COMPOSANT		MODELES APPLICABLES	
PÉRIODE DE GARANTIE APPLICABLE (SELON LA PREMIÈRE ÉVENTUALITÉ)		Période à compter de la première utilisation par l'Acheteur ou l'Utilisateur final autorisé	
Echangeurs thermiques ou serpents	Appareils de chauffage au gaz avec échangeurs de chaleur de style tubulaire (par ex., HD, DS, PTX, BTX, etc.)	Acier aluminisé ou inoxydable	10 ANS
	Appareils de chauffage au gaz avec échangeurs de chaleur de style grappin (par ex., PDP, BDP, etc.)	Acier aluminisé (dans les applications à humidité élevée)	1 AN
Brûleurs et éléments	Modèles infrarouges à faible intensité	Acier inoxydable	10 ANS
	Modèles infrarouges à haute intensité et infrarouges électriques	Acier aluminisé (pas dans des applications à humidité élevée)	1 AN
	Condenseurs pour cassettes	Acier aluminisé (pas dans des applications à humidité élevée)	5 ANS
	Ventilateurs verticaux, appareil géothermiques	Acier aluminisé (pas dans des applications à humidité élevée)	1 ANS
Composants, excluant les échangeurs thermiques, les serpents, la tôle	Tous les produits	Tous les produits	2 ANS
Pièces en tôle	Tous les produits	Tous les produits	18 MOIS
Composants, excluant les échangeurs thermiques, les serpents, la tôle	Tous les produits	Tous les produits	30 MOIS

Y COMPRIS, SANS S'Y LIMITER, LES GARANTIES DE VALEUR MARCHANDE, D'ADAPTATION À UN USAGE PARTICULIER ET DE NON-CONTRAFON, AUXQUELS LE VENDEUR RENONCE EXPRESSÉMENT PAR LES PRÉSENTES. LE VENDEUR N'ASSUME PAS (ET N'A PAS AUTORISÉ QUICUNQUE À ASSUMER) TOUTE AUTRE GARANTIE OU RESPONSABILITÉ RELATIVEMENT AUX PRODUITS. LES REPRÉSENTATIONS ET LES CONDITIONS, EXPRESSES OU IMPLICITES PAR STATUT, USAGE DU COMMERCE OU AUTREMENT, SONT EXCLUES ET NE S'APPLIQUENT PAS AUX PRODUITS EN VERTU DE LA PRÉSENTE GARANTIE. À L'EXCEPTION DES GARANTIES QUI NE PEUVENT PAS ÊTRE EXCLUES OU LIMITÉES SELON LA LOI. Sans limiter ce qui précède, le Vendeur n'effectue aucune déclaration et renonce spécifiquement à toute garantie que les Produits détecteront la présence, élimineront ou atténueront la propagation, la transmission ou l'éruption de pathogènes, maladies, virus ou autres contagions, y compris, sans s'y limiter, la COVID-19.

L'ACHETEUR CONVIENT QUE LE VENDEUR SERA EN AUCUN CAS RESPONSABLE DES COÛTS DE TRAITEMENT, DES PERTES DE REVENUS OU DE PROFITS, DES PERTES D'ACHALANDAGE OU D'AUTRES DOMMAGES SPÉCIAUX, INDIRECTS OU CONSÉCUTIFS DE TOUTE SORTIE DÉCOULANT DE L'ACHAT DES PRODUITS OU DE L'UTILISATION DE TOUT PRODUIT PAR L'ACHETEUR, QU'ILS SOIENT LE RÉSULTAT DU NON-RESPECT DE LA GARANTIE, D'UNE NONCONFORMITÉ AUX SPÉCIFICATIONS DE COMMANDE, DE RETARDS DE LIVRAISON OU DE TOUTE AUTRE PÉRIODE SUBIE PAR L'ACHETEUR. GARANTIE SUPPLÉMENTAIRE EN OPTION

L'Acheteur peut se procurer auprès du Vendeur une garantie supplémentaire relative aux Produits qui prolongera la Période de garantie applicable qui est établie dans les conditions expresses décrites dans l'accord de garantie supplémentaire. Les conditions d'une telle garantie supplémentaire peuvent comprendre une période supplémentaire de quatre (4) ans sur certains composants, une garantie supplémentaire de cinq (5) ans sur toutes les pièces « », une période supplémentaire de quatre (4) ou neuf (9) ans sur certains échangeurs de chaleur ou d'autres conditions de garantie supplémentaires que le Vendeur peut accepter d'offrir à ses clients de temps à autre.



# GARANTIE COMMERCIALE

LA LOI, SE LIMITE À CE QUI EST DÉCRIT CI-DESSUS.

EXCLUSIONS ET LIMITES : La présente Garantie est assujettie aux exclusions et limites suivantes :

Le terme « Produits » ne comprend pas et la présente Garantie ne s'applique pas à l'un ou l'autre des articles suivants : les gaz frigorigènes, courroies, filtres, fusibles et autres articles consommés ou usés dans le cadre d'une usure normale.

(1) aux produits ou composants de ces derniers qui sont endommagés ou défavorablement affectés par des conditions hors du contrôle du Vendeur, y compris, sans s'y limiter, des matières polluées, contaminées ou étrangères se trouvant dans l'air ou l'eau utilisés pour le refroidissement de l'échangeur thermique (condenseur) ou si la défaillance de la pièce est causée par une alimentation inadéquate en air ou en eau ou par la puissance inappropriée de l'alimentation électrique;

(2) aux produits ou composants de ces derniers qui ont été réparés ou modifiés de quelque façon à l'extérieur de l'usine du Vendeur, ou qui ont été autrement soumis à des réparations ou modifications non autorisées de manière à, selon l'avis du Vendeur, affecter la durabilité ou la performance du Produit;

(3) aux matériaux ou à la main-d'œuvre de toute sorte non fournis par le Vendeur, ou aux frais liés à une telle main-d'œuvre ou de tels matériaux, que la main-d'œuvre, les matériaux ou les frais s'y rapportant résultent d'un remplacement de pièces, d'ajustements, de réparations ou de tout autre travail effectué par une partie autre que le Vendeur;

(4) à la main-d'œuvre ou aux autres frais encourus pour le diagnostic, la réparation, le retrait, l'installation, l'expédition, l'entretien ou la manipulation de pièces défectueuses ou de rechange;

(5) aux produits retirés de leur emplacement original pour réinstallation à un autre endroit;

(6) aux produits ou composants de ces derniers qui ont été utilisés, entretenus ou réparés contrairement aux directives écrites d'installation, de fonctionnement ou d'entretien ou au manuel;

(7) aux dommages découlant de l'utilisation au moyen d'une alimentation en eau ou en air inadéquate ou interrompue;

(8) aux Produits ou composants de ces derniers qui ont été soumis à une mauvaise utilisation, de la négligence, une installation défectueuse, un entretien inadéquat, un choc thermique excessif, une humidité excessive, des dommages physiques, un impact, de l'abrasion, un mauvais fonctionnement ou toute autre condition de fonctionnement qui dépasse ou n'qui est contraire à celles pour lesquelles l'équipement a été conçu;

(9) en ce qui concerne les unités au gaz ou au mazout, tous les Produits ou les composants de ces derniers si l'alimentation vers le Produit dépasse la puissance nominale (indiquée sur la plaque signalétique du Produit) de plus de cinq pour cent (5%);

(10) aux Produits ou composants de ces derniers qui, selon l'avis du Vendeur, ont été installés dans une atmosphère corrosive, une application marine ou autre, soumis à des liquides ou au gaz corrosifs ou endommagés ou affectés négativement par les effets des propriétés physiques ou chimiques de l'eau ou de la vapeur ou des autres liquides ou gaz utilisés dans les Produits ou les composants de ces derniers;

(11) aux dommages ou à l'échec du démarrage découlant d'une mauvaise tension, de fusibles grillés, de disjoncteurs ouverts ou de toute autre insuffisance ou interruption du service électrique ou de l'approvisionnement en carburant; ou

(12) aux Produits ou composants de ces derniers dont le numéro de série a été modifié, dégradé ou retiré.

L'ACHETEUR CONVIENT QUE LES GARANTIES ET LES RECOURS DÉCRITS AUX PRÉSENTES SONT LES SEULES GARANTIES ET LES SEULS RECOURS FOURNIS PAR LE VENDEUR EN CE QUI CONCERNE LES PRODUITS, ET DANS LA PLUS GRANDE MESURE PERMISE PAR LA LOI EN VIGUEUR, ILS REMPLACENT ET EXCLUENT TOUTES LES AUTRES GARANTIES ET TOUTES LES AUTRES RECOURS QUI SOIENT, EXPLICITES OU IMPLICITES, DÉCOULANT DE LA LOI, D'UNE TRANSACTION, DE L'USAGE DU COMMERCE OU AUTREMENT,

La présente garantie (la « Garantie ») s'applique aux Produits (tels qu'ils sont définis ci-dessous) vendus par Modine manufacturing Company, une entreprise du Wisconsin (le « Vendeur ») à vous (l'« Acheteur »).

Durant la Période de garantie applicable (telle que définie ci-dessous), le Vendeur garantit par les présentes que ses produits seront exempts de défauts de matériaux et de fabrication en usine dans des conditions normales d'utilisation et d'entretien, assujettie aux EXCLUSIONS décrites ci-dessous et conformément aux conditions établies dans la présente Garantie.

Si le Vendeur reçoit un avis écrit d'une violation à la présente Garantie avant la fin de la Période de garantie applicable (et un tel avis doit comprendre les numéros de modèle et de série du Produit, ainsi que la date et une description raisonnablement détaillée de la violation), l'« Acheteur », après avoir obtenu l'approbation écrite du Vendeur, retournera le Produit ou le composant du produit en question en prépayant les frais d'envoi; si, après examen du Produit ou du composant de ce dernier par le Vendeur, il est déterminé que l'article est défectueux, le Vendeur, à sa discrétion et sans aucuns frais pour l'« Acheteur », réparera le Produit, remplacera les pièces défectueuses du Produit ou offrira une unité de rechange complète du Produit; à condition que la période de garantie d'un Produit qui a été réparé ou sur lequel des pièces de rechange ont été installées ne dépasse pas la Période de garantie applicable d'origine, de même que des pièces de rechange fournies pour un Produit ne seront pas couvertes par la garantie au-delà de la Période de garantie applicable du Produit; de façon similaire, si le Vendeur fournit une unité de rechange complète pour le Produit, la période de garantie de l'unité de rechange se limite au reste de la Période de garantie applicable d'origine. Le Vendeur ne sera pas responsable de l'installation, de l'entretien, de la main-d'œuvre sur le terrain, des frais d'expédition ou de manutention ou de autres frais et coûts, à l'exception de ce qui est spécifiquement prévu dans la présente Garantie. L'« Acheteur » n'aura pas de recours en vertu des présentes si une pièce défectueuse est retournée dans l'autorisation écrite préalable du Vendeur, tel que décrit ci-dessus.

Pour les besoins de la présente Garantie et assujetti aux exclusions décrites ci-dessous, le terme « Produits » signifie des pièces ou de l'équipement fabriqués par le Vendeur, vendus à l'« Acheteur » en vertu d'un contrat d'achat conclu entre l'« Acheteur » et le Vendeur (initié le plus souvent par le Vendeur) qui sont expressément décrits dans un tel contrat. Le terme « Produits » ne comprend pas les pièces ou l'équipement de tiers fournis par le Vendeur, sauf s'ils peuvent être considérés, au cas, le Vendeur cédant à l'« Acheteur » les avantages (ainsi que les limites et les exclusions) de la garantie du fabricant (tels que les limites et les exclusions) de la présente Garantie ne s'applique qu'au contrat d'achat d'origine entre l'« Acheteur » et le Vendeur et elle ne peut pas être transférée, sauf qu'elle peut être cédée à un Utilisateur final autorisé (tel que défini ci-dessous).

Toutes les pièces et tous les équipements remplacés devenant la propriété de l'« Acheteur ». Pour les besoins de la présente Garantie, le terme « Période de garantie applicable » signifie la période de garantie établie dans le tableau ci-dessous pour chaque type de garantie catégorie de Produit décrits dans le tableau; à condition que, lorsqu'un Produit utilisé comme composant d'un équipement fabriqué par l'« Acheteur », la Période de garantie applicable se limitera à (1) an après la date d'expédition par le Vendeur, nonobstant toute disposition contraire dans le tableau ci-dessous. Pour les besoins de la présente Garantie, le terme « Utilisateur final autorisé » signifie un tiers qui achète le Produit directement ou indirectement de l'« Acheteur pour l'usage de l'Utilisateur final autorisé dès la première installation du Produit et non pour la vente.

L'ACHETEUR RECONNAÎT PAR LES PRÉSENTES QUE SES RECOURS POUR TOUTE VIOLATION À LA GARANTIE, A L'EXCLUSION DE TOUTS LES AUTRES RECOURS OFFERTS PAR LE VENDEUR ET NON POUR LA VENTE.

## 3 ENTRETIEN

### AVERTISSEMENTS



1. Toujours laisser l'appareil et l'élément refroidir avant de les manipuler.
2. L'installation et la maintenance doivent être exécutés par un technicien qualifié.
3. Couper l'alimentation avant d'entreprendre l'entretien.
4. Ne pas tenter de faire l'entretien ni de réparer l'unité lorsqu'elle fonctionne.
5. Si l'appareil de chauffage venait à tomber, à être endommagé ou à présenter un dysfonctionnement, coupez immédiatement l'alimentation électrique principale et ne l'utilisez pas tant qu'il n'aura pas été examiné par un centre de service agréé.

### 3.1 NETTOYAGE

Pour enlever la poussière ou la saleté sur le radiateur, suivez les étapes suivantes :


1. Dévisser le couvercle de gauche et retirez la grille de protection.
2. Essayez soigneusement le réflecteur avec un linge doux non pelucheux.
3. Après le nettoyage, réinstaller l'ensemble des composantes de l'appareil.

*Étant donné l'amélioration constante du produit, les spécifications et les dimensions sont sujettes à des changements et à des corrections sans préavis et sans encourir d'obligation. L'installateur a la responsabilité de déterminer l'application et l'utilisation adéquate de tout produit. De plus, l'installateur a la responsabilité de vérifier les données dimensionnelles du produit réel avant de débiter toute préparation pour l'installation. Les programmes incitatifs ou d'escompte ont des exigences précises concernant la performance et la certification du produit. Tous les produits respectent les règlements applicables en vigueur à la date de fabrication, cependant, les certifications ne sont pas nécessairement accordées pour la durée de service d'un produit. Par conséquent, le requérant a la responsabilité de déterminer si un modèle spécifique est admissible à ces programmes incitatifs/d'escompte.*

**Le radiateur doit être fixé à l'aide de supports de fixation rigides. L'appareil ne doit en aucun cas pouvoir osciller dans quelque direction que ce soit sous l'effet d'une charge exercée par le vent ou par des personnes. Ce radiateur peut être installé à l'aide d'une chaîne uniquement à l'intérieur.**

**LA POSITION DU CHAUFFAGE DOIT MAINTENIR UN DÉGAGEMENT MINIMUM AU PLAFOND DE 0,2m (8")**

**AVERTISSEMENT**




1. Fixez le radiateur aux supports de montage à l'aide du matériel fourni.
2. Choisissez l'emplacement d'installation au plafond en identifiant les montants ou les poutres structurales qui permettront de fixer solidement le radiateur.
- REMARQUE : Les boulons ou chevilles de fixation au plafond ne sont pas fournis. Choisissez une taille appropriée pour assurer un soutien adéquat au poids de l'appareil, tout en tenant compte des conditions de charge due au vent:
  - a. Modèle n° MES15A01 – 5,7 kg (12,5 lb)
  - b. Modèle n° MES32A11 – 10 kg (22 lb)
  - c. Modèle n° MES32A12 – 10 kg (22 lb)
3. Fixez l'unité au plafond à l'aide des supports de plafond et des boulons sélectionnés par l'utilisateur.
4. Le radiateur peut être suspendu verticalement ou pointé à un angle maximum de 45 ° par rapport à la verticale.
- AVERTISSEMENT: NE JAMAIS DIRIGER LA CHALEUR INFRAROUGE PRODUITE PAR L'APPAREIL VERS UN MUR ADJACENT.**
5. Fixez le câble d'alimentation électrique de façon à ce qu'il n'entre pas en contact avec le corps du radiateur ou ne recouvre les bouches d'aération du radiateur.

2.7 AJUSTEMENT DE LA POSITION DIRECTIONNELLE

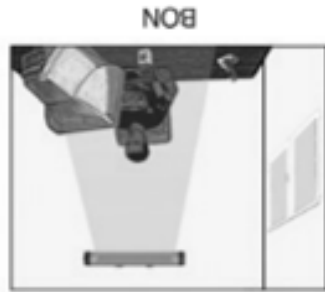
**AVERTISSEMENT**

N'essayez pas de bouger l'appareil pendant qu'il fonctionne. Cela pourrait causer des blessures.



1. Coupez l'alimentation électrique du radiateur depuis le tableau électrique principal.
2. Laissez l'appareil refroidir avant de repositionner l'angle.
3. Desserrez les boulons sur les supports de fixation à l'arrière de l'appareil; repositionnez comme désiré et resserrer les boulons.

**Remarque:** L'appareil produit de la chaleur rayonnante en plus de réchauffer l'air de la pièce où il est installé. Installez cet appareil de chauffage de manière à ce que sa face avant soit orientée vers la zone à chauffer. Ne dirigez pas l'appareil vers des fenêtres ou des espaces inoccupés, car la chaleur ne profiterait pas aux occupants.



## 2.4 INSTALLATION ÉLECTRIQUE

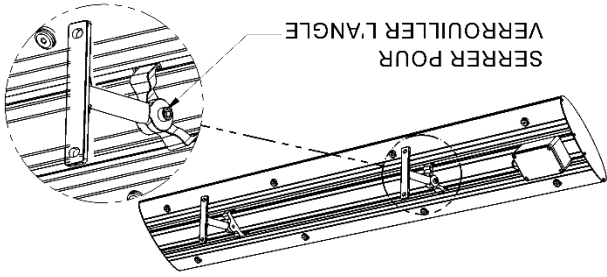
### Consignes de sécurité

1. Chaque circuit d'alimentation doit être correctement mis à la terre.
2. Utilisez un dispositif de protection contre les fuites à la terre homologué pour les installations en milieu humide.
3. Utilisez un boîtier de raccordement électrique adapté.
4. La tension et la fréquence d'alimentation doivent correspondre aux caractéristiques électriques indiquées sur la plaque signalétique de l'appareil.

## 2.5 INSTALLATION AU MUR

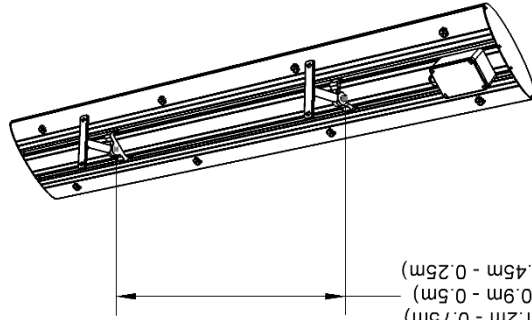
**REMARQUE :** Cet appareil de chauffage doit être installé avec un couvercle supérieur lorsqu'il est utilisé à l'extérieur. Cet appareil de chauffage n'est pas recommandé pour une utilisation à l'extérieur dans les climats nordiques car la chaleur est susceptible d'être dissipée par le vent!

**REMARQUE :** Les boulons de fixation au mur ne sont pas fournis. Sélectionnez des boulons de bonne dimension afin de supporter adéquatement le poids de l'appareil en tenant compte de toute charge due au vent.



1. Sortir l'appareil de sa boîte et retirer l'ensemble des composantes de protection.
2. Le radiateur est livré avec des supports standard de 4 pouces. L'espacement entre les supports doit être compris entre:

3200W: 48" - 30" (1.2m - 0.75m)  
2400W: 36" - 20" (0.9m - 0.5m)  
1500W: 18" - 10" (0.45m - 0.25m)



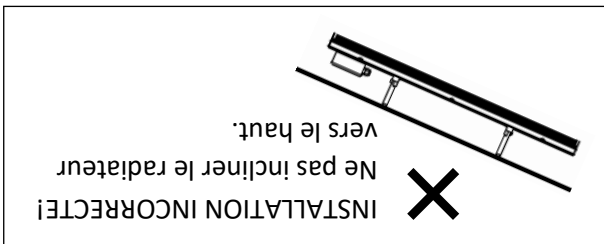
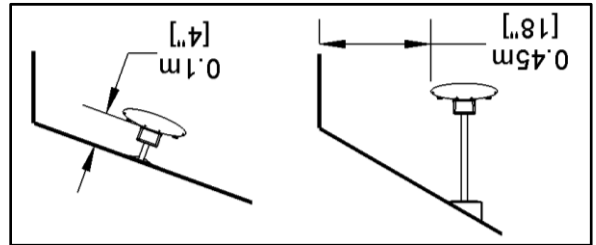
3. Choisissez l'emplacement d'installation sur le mur en repérant les montants ou les poutres de structure qui permettront de fixer solidement le radiateur.

### AVERTISSEMENT: Assurer des dégagements minimaux du radiateur

4. Fixez solidement les supports à la surface de montage.

- ATTENTION : En cas de doute sur la sécurité du montage, contactez un professionnel.**
5. Fixez l'appareil aux supports en positionnant la boîte de jonction sur le côté droit de l'appareil.
  6. Réglez le radiateur selon l'angle de direction souhaité, puis fixez-le dans cette position en serrant les vis de fixation situées sur les supports à l'arrière du radiateur.
  7. Fixez le câble d'alimentation électrique de manière à ce qu'il n'entre pas en contact avec le corps de l'appareil de chauffage et n'obstrue pas les bouches d'aération. Respectez les exigences des codes électriques locaux et nationaux.
  8. Les angles de fixation sont de 20° à 70° par rapport au mur.

## 2.2 INSTALLATION SUR PLAFONDS D'ANGLE



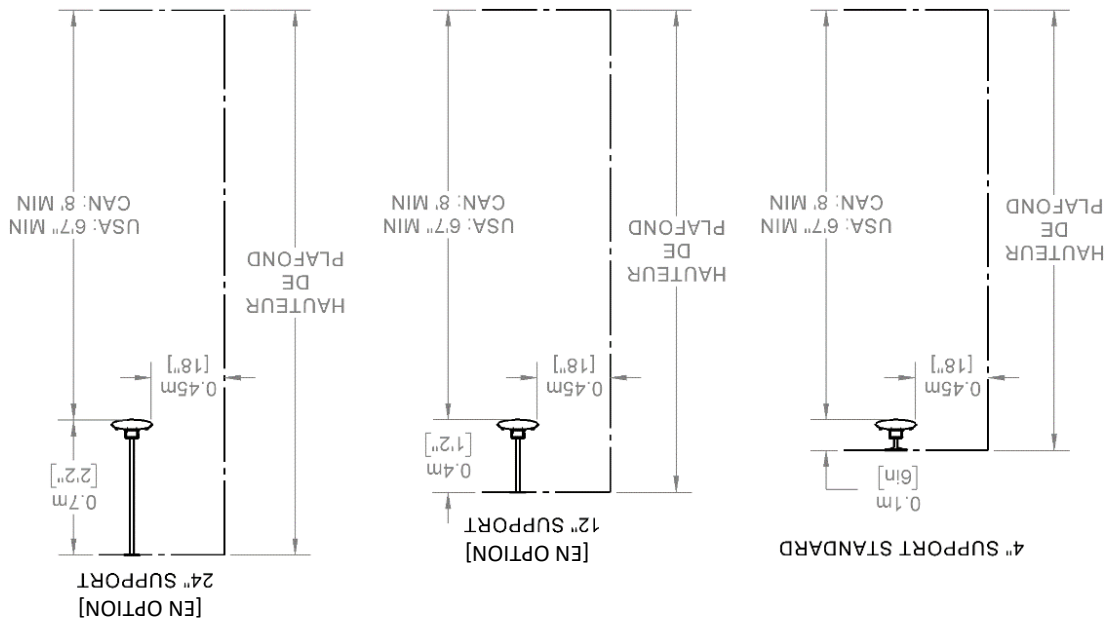
Lors du montage au plafond à l'aide des supports fournis, installez toujours le radiateur parallèlement au plafond ! Pour incliner le radiateur vers le sol, utilisez les supports de suspension pour l'éloigner du plafond. L'installateur doit créer une surface de montage plane sur un plafond incliné pour y fixer les supports.

## 2.3 INSTALLATION SUR PLAFOND HAUT

Lors de l'installation sur des plafonds hauts, le radiateur doit être suspendu pour assurer de bonnes performances.

Utilisez les tableaux ci-dessous pour vous aider à sélectionner un support de suspension approprié pour maintenir une hauteur de montage de 8 pi au CANADA et une hauteur de montage de 7 pi aux États-Unis.

USA		CANADA	
Choix des supports de suspension pour une hauteur de montage minimale de 6 pi 7 po – PAR UL 2021		Choix des supports de suspension pour une hauteur de montage minimale de 8 pi PAR CSA 22.2 NO.46	
Hauteur de plafond		Hauteur de plafond	
7' - 7'9"	7'9" - 8'9"	9'2" - 10'2"	10'2" - 12'2"
2,1m - 2,4m	2,4m - 2,7m	2,8m - 3,1m	3,1m - 3,7m
Support d'extension à utiliser:		Support d'extension à utiliser:	
Supports standard de 4 po		Supports standard de 4 po	
Support de 12 po		Support de 12 po	
Support de 24 po		Support de 24 po	



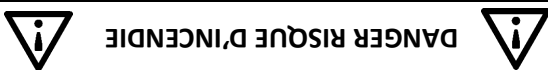
## 2 INSTALLATION DE L'APPAREIL

L'installation de l'appareil et son raccordement au réseau électrique doivent être effectués uniquement par des professionnels qualifiés conformément aux réglementations sur les installations électriques et aux normes de sécurité des systèmes électriques et doivent être conformes à tous les codes électriques nationaux et locaux. Tout manquement aux exigences applicables peut causer des blessures personnelles et/ou des dommages aux biens. Les méthodes de câblage et les raccordements doivent être effectués conformément aux codes de l'électricité nationaux et locaux applicables.

Les panneaux chauffants infrarouges produisent à la fois une chaleur radiante et convective qui réchauffe les gens et l'air qui les entoure. Cet appareil de chauffage comprend des supports standard de 4 po qui permettent à l'utilisateur de diriger la chaleur radiante là où il le souhaite.

**Pour réduire le risque d'incendie, ne stockez pas et n'utilisez pas d'essence ou d'autres vapeurs et liquides inflammables à proximité du radiateur.**

### 2.1 DISTANCE DE DÉGAGEMENT – INSTALLATION AU MUR

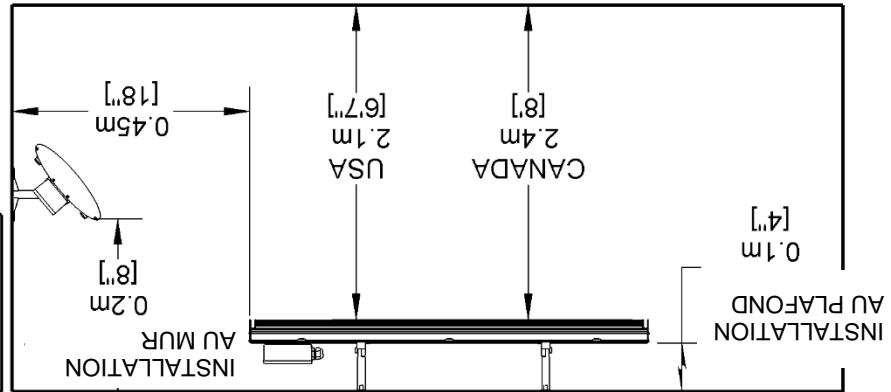


Les dégagements minimaux indiqués sur la plaque signalétique et dans le manuel de l'appareil doivent être respectés au moment de l'installation. Les dégagements sont basés sur une température de surface de 160 °F (71°C). Les matériaux de construction présentant une faible tolérance à la chaleur peuvent se détériorer à des températures inférieures. Il incombe à l'installateur de s'assurer que les matériaux adjacents possèdent une résistance à la chaleur suffisante. Allouez au moins 6 pi (1,8 m) entre tous les côtés de l'appareil de chauffage et les objets inflammables.

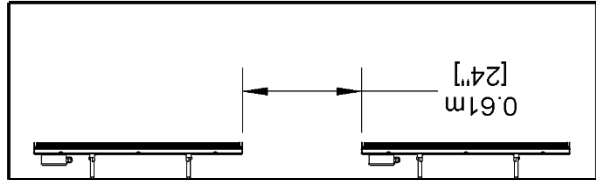
**ATTENTION:** Cet appareil de chauffage produit une chaleur radiante à ondes longues, qui chauffe à la fois les personnes et l'air entourant l'appareil de chauffage. Cet appareil de chauffage fonctionne mieux lorsqu'il est installé à 8 pi au Canada et à 7 pi aux États-Unis mesuré au bas de l'appareil. La hauteur de montage minimale au Canada est de 8 pi et de 6 pi 7 po aux États-Unis, mesurée au bas du radiateur. Dans les environnements extérieurs, il n'est pas recommandé de monter le bas du radiateur au-dessus de 8 pi. Cet appareil de chauffage est fourni avec un support standard de 4 po. Des supports de montage supplémentaires sont disponibles en longueurs de 1 pi, 2 pi et 4 pi (0,3 m, 0,6 m et 1,2 m) pour satisfaire des hauteurs de montage optimales.

Modèle de chauffage	Étage (mesuré jusqu'au bas du radiateur)	Dégagement au plafond, montage mural	Dégagement sous plafond, fixation au plafond	Mur adjacent
MES15A01	6'7" (2,1m) – USA	8" (0,2 m)	4" (0,1 m)	18" (0,45 m)
MES32A11	8' (2,4m) – CANADA			
MES32A12				

DISTANCE DE DÉGAGEMENT



DISTANCE ENTRE LES CHAUFFAGES



**RISQUE D'INCENDIE!**  
LE CHAUFFAGE NE DOIT JAMAIS ÊTRE ORIENTÉ VERS LES MURS OU LES PLAFONDS !  
LE CHAUFFAGE DOIT ÊTRE ORIENTÉ VERS LE BAS LORSQU'IL EST MONTÉ AU PLAFOND !

## CONSERVEZ CES INSTRUCTIONS

- Ne laissez jamais le radiateur sans surveillance pendant son fonctionnement.
- Cet appareil n'est pas destiné à être utilisé par des personnes (y compris les enfants) ayant des capacités physiques, sensorielles ou mentales réduites, ou manquant d'expérience et de connaissances, sauf si elles sont supervisées ou ont reçu des instructions concernant l'utilisation de l'appareil par une personne responsable de leur sécurité.
- Attention ! Risque de brûlure! Ce radiateur est chaud pendant son fonctionnement. Pour éviter les brûlures, ne laissez pas la peau nue toucher les surfaces chaudes.

- N'utilisez pas un radiateur en cas de dysfonctionnement. Débranchez l'alimentation au niveau du tableau électrique et faites-le vérifier par un électricien avant de le réutiliser.
- N'utilisez pas le radiateur pour allumer des cigarettes ou des objets similaires.
- N'insérez pas d'objets dans les ouvertures du radiateur. Un choc électrique pourrait se produire.
- Pour débrancher le radiateur, mettez les commandes sur arrêt et coupez l'alimentation du circuit au niveau du tableau électrique principal.

### Utilisation

- Pour éviter tout dommage matériel, blessure ou décès dû à un choc électrique, NE PAS effectuer l'entretien de l'appareil sans l'avoir éteint et débranché du secteur.
- Avant de nettoyer l'appareil ou de remplacer l'émetteur, coupez l'alimentation secteur.
- S'assurer que l'émetteur et/ou le radiateur sont froids avant toute manipulation.
- L'entretien doit être effectué uniquement par un technicien qualifié.

### Entretien et Nettoyage

- Ne pas installer ce produit directement sous une prise de courant ou une prise murale.
- Ne pas utiliser l'appareil de chauffage si le cordon d'alimentation est endommagé. Communiquez avec un centre de service autorisé ou un électricien qualifié afin de faire remplacer le cordon avant l'utilisation.
- Débranchez l'appareil lorsqu'il n'est pas utilisé pendant une longue période, ou lors du nettoyage et de l'entretien.
- L'appareil de chauffage doit être installé de niveau sur une surface plane, stable et suffisamment rigide pour supporter de façon sécuritaire son poids. L'appareil ne doit pas être recouvert par des matériaux souples tels que des tapis, du plastique ou du tissu.
- Certains matériaux sont plus sensibles à la chaleur que d'autres. Prévoyez un dégagement supplémentaire par rapport à ces matériaux afin d'éviter tout dommage durant l'utilisation.

# INSTRUCTIONS IMPORTANTES

Lors de l'utilisation d'appareils électriques, des précautions de base doivent toujours être suivies pour réduire le risque d'incendie, les chocs et blessures aux personnes, y compris les éléments suivants décrits dans la section 1 - SÉCURITÉ. Lisez toutes les instructions avant d'installer ou d'utiliser cet appareil de chauffage. Cet appareil de chauffage doit être utilisé strictement selon ces instructions.

## 1 SÉCURITÉ



AVERTISSEMENT : RISQUE D'INCENDIE OU D'EXPLOSION



- **Ce produit doit être installé par un électricien certifié et doit être conforme à tous les codes électriques locaux, provinciaux et nationaux (NEC/CEC). Utilisez des câbles d'alimentation conçus pour une température d'au moins 105 °C / 221 °F!**

- Le non-respect des consignes de sécurité peut entraîner des blessures graves ou des dommages matériels. Ce radiateur comporte des surfaces chaudes et des pièces internes produisant des arcs électriques ou des étincelles. Ne l'utilisez pas dans des endroits où de l'essence, de la peinture ou des vapeurs ou liquides inflammables sont utilisés ou stockés.

- Vérifiez que la tension indiquée sur la plaque signalétique de l'appareil correspond à la tension du secteur local avant de le brancher.

- Les dégagements minimaux spécifiés à l'avant, sur les côtés, sous et à l'arrière de l'appareil doivent être respectés. Le non-respect de ces dégagements minimaux peut provoquer un incendie.

- **Le radiateur ne doit pas être encastré!**

- Gardez les matériaux combustibles, tels que les meubles, les oreillers, la literie, les papiers, les vêtements, les rideaux, etc. à au moins 1,8 m (6 pi) de l'avant du radiateur et à l'écart des côtés et de l'arrière.

- Ne dirigez pas la partie radiante du radiateur vers le plafond.

- Ce radiateur ne doit pas être installé ou utilisé dans une zone contenant des matières dangereuses ou inflammables, y compris, mais sans s'y limiter, des chiffons, des tissus, des bombes aérosols, des produits de nettoyage, des contenants en plastique, des produits en papier, des poussières organiques, de la paille/du foin, de l'essence, du kérosène, de l'essence à briquet, etc.

- Pour éviter tout risque d'incendie, ne bloquez en aucun cas les entrées d'air ni les sorties d'air. Évitez tout contact de matériaux combustibles avec le radiateur en raison du vent ou d'autres facteurs environnementaux. N'insérez pas et ne laissez pas des corps étrangers pénétrer dans les ouvertures de ventilation ou d'évacuation, car cela pourrait provoquer un choc électrique, un incendie ou endommager le radiateur.
- Ne couvrez en aucun cas le radiateur et ne suspendez pas de vêtements dessus ou à proximité.

- **Attention!** N'utilisez pas le radiateur avec un autre appareil branché sur la même ligne d'alimentation ou sur le même disjoncteur.

- Ce radiateur doit être correctement mis à la terre.

- Le cordon d'alimentation ne doit pas être laissé sur ou autour du corps du radiateur.

- **AVERTISSEMENT!** Ce radiateur n'est pas équipé d'un thermostat ni d'un dispositif de contrôle de la température. Ne pas installer le radiateur dans un espace clos. En cas d'installation à l'intérieur, consulter le Code national de l'électricité et le Code canadien de l'électricité pour déterminer si un contrôle de la température est requis.

- Retirez tous les matériaux d'emballage, y compris les inserts anti-vibrations de l'émetteur, avant d'utiliser le radiateur.

- Ne pas utiliser dans les salles de bains, les buanderies ou tout autre endroit où l'appareil pourrait tomber dans l'eau.

- **NE PAS INSTALLER LE RADIATEUR À LA VERTICALE!** Les éléments doivent être installés horizontalement. Un montage vertical de l'appareil entraînera une défaillance prématurée des éléments chauffants. **Un montage vertical annulera la garantie.**

**Avis :** Les changements ou les modifications n'ayant pas fait l'objet d'une approbation par la partie responsable de la conformité auront pour effet d'annuler le droit d'utilisation de l'appareil par l'utilisateur.

Veillez lire attentivement ce manuel and de faire fonctionner cet appareil et conservez-le à des fins de référence.  
 UTILISER L'APPAREIL TEL QUE DECRIT DANS CETTE INSTRUCTION. TOUTE AUTRE UTILISATION EST NON RECOMMANDÉE PAR LE MANUFACTURIER CAR IL POURRAIT Y AVOIR RISQUE D'INCENDIE, D'ÉLECTROCUTION OU DE BLESSURE CORPORELLE.

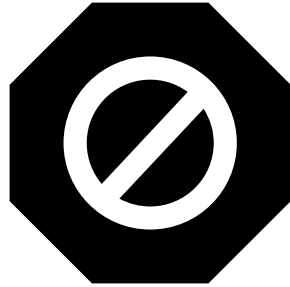
## LIRE ET CONSERVER CES INSTRUCTIONS

L'installation de cet appareil doit être exécutée par une personne qualifiée et en conformité avec les normes nationales et locales en vigueur.

**AVERTISSEMENTS**  
 CET APPAREIL ÉLECTRIQUE PRODUIT DE LA CHALEUR INFRAROUGE ET NE PAS DE RESPECTER CES AVERTISSEMENTS ET DIRECTIVES PEUT CAUSER DES INCENDIES, DES CHOCS ÉLECTRIQUES OU DES BLESSURES

1	SÉCURITÉ.....	4
2	INSTALLATION DE L'APPAREIL.....	6
2.1	DISTANCE DE DÉGAGEMENT – INSTALLATION AU MUR.....	6
2.2	INSTALLATION SUR PLAFONDS D'ANGLE.....	7
2.3	INSTALLATION SUR PLAFONDS HAUTS.....	7
2.4	INSTALLATION ÉLECTRIQUE.....	8
2.5	INSTALLATION AU MUR.....	8
2.6	INSTALLATION AU PLAFOND.....	9
2.7	AJUSTEMENT DE LA POSITION DIRECTIONNELLE.....	9
3	ENTRETIEN.....	10
3.1	NETTOYAGE.....	10

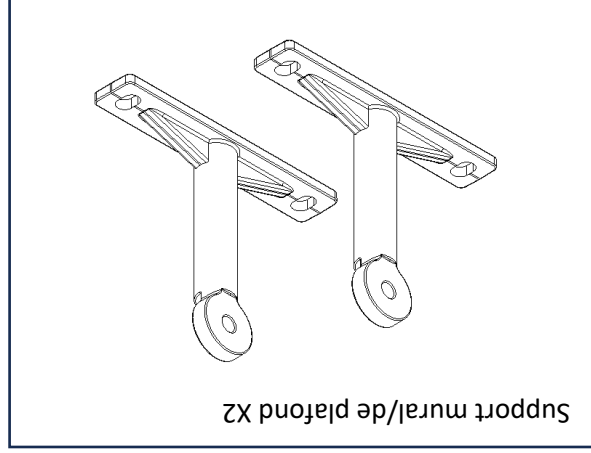
## TABLE DES MATIÈRES



**ARRÊTEZ!**

Une fois installé, ce produit ne peut plus être retourné. Pour être retourné, l'appareil doit être dans son emballage d'origine et accompagné de tous ses accessoires.

**Veillez confirmer que tous les accessoires sont présents lors du premier déballage!**



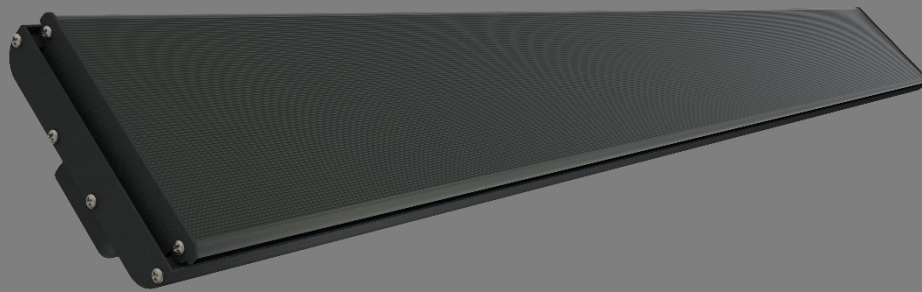
**Pour le support technique, ne désinstallez pas le radiateur !**

**Nous ne pouvons pas résoudre le problème si le radiateur est retiré ! La garantie ne sera pas appliquée sans dépannage physique. Pour toute assistance, veuillez contacter votre revendeur ou distributeur et fournir les informations suivantes :**

1. Une copie de votre ticket de caisse
2. Une photo du radiateur, indiquant les distances par rapport au plafond et aux murs environnants
3. Une photo de la plaque signalétique au dos du radiateur
4. Une brève description du problème

**MANUEL D'INSTALLATION, D'UTILISATION ET D'ENTRETIEN**

**RADIATEUR ÉLECTRIQUE À INFRAROUGE**



MODELES	NUMÉRO D'ARTICLE	TENSION (V)	PUISSANCE TOTALE (W)	COURANT(AMP)
MES15A01	80313	120 V	1500 W	12,5 A
MES32A11	80314	208 V	3200 W	15,4 A
MES32A12	80315	240 V	3200 W	13,3 A

**AVERTISSEMENT : RISQUE D'INCENDIE/EXPLOSION**



**NON CONÇU POUR ÊTRE UTILISÉ DANS UNE  
ATMOSPHÈRE DANGEREUSE OU EXPLOSIVE**



En cours de fonctionnement, assurez-vous que tout matériel combustible est tenu à une distance sécuritaire de l'appareil et de l'énergie radiante. L'appareil de chauffage n'est pas conçu pour être utilisé dans des zones dangereuses contenant des vapeurs, gaz, liquides ou tout autre combustible. Tout manquement aux avertissements ci-dessus peut causer des blessures personnelles et/ou des dommages aux biens.



**POUR UNE UTILISATION EN EXTÉRIEUR AVEC COUVERTURE OU EN INTÉRIEUR, À LA FOIS DANS LES  
LOCAUX COMMERCIAUX ET RÉSIDENTIELS DANS LES CLIMATS MODÉRÉS**

MODINE MANUFACTURING COMPANY \* 1500 DE KOVEN AVE \* RACINE WI 53403-2552 \* 1-800-828-HEAT (4328)