

VENT CAP INSTALLATION & SUBMITTAL DATA

weatherproof duct furnace/make-up air units

Figure 1

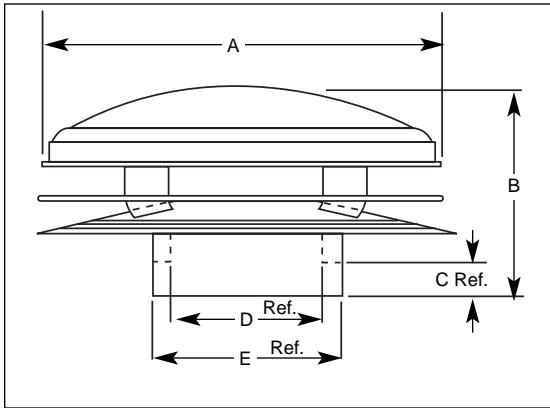


Figure 2

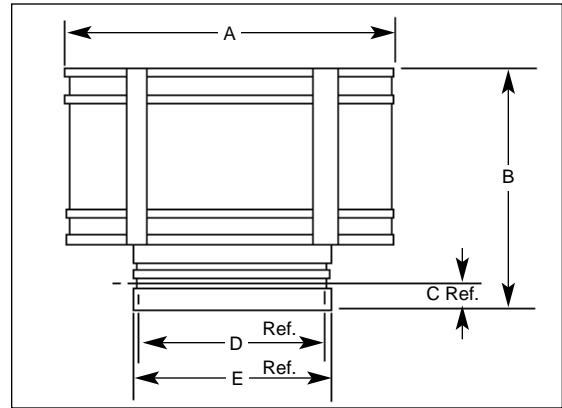


Table 1
Vent Cap Dimensions – Models WDG/WBG/WSG

Model Size	Vendor Name	Vendor No.	Vent Size	A	B	C	D	E
75/100/101	American Metal Products	7-C	7.00"	11.75"	7.62"	–	–	6.50"
125/126/150/151	Hart & Cooley	8-RM	8.00"	15.12"	7.00"	2.00"	7.88"	9.00"
	American Metal Products	8-RC	8.00"	12.75"	8.25"	1.38"	8.25"	9.00"
200/201/225/226/250/251	Hart & Cooley	10-RM	10.00"	19.12"	9.00"	2.00"	9.88"	11.00"
	American Metal Products	10-RC	10.00"	15.50"	10.50"	1.88"	10.25"	11.00"
300/301/302 ①	American Metal Products	12-RC	12.00"	18.50"	11.62"	1.62"	12.25"	13.00"
350/351/352	American Metal Products	12-RC	12.00"	18.50"	11.62"	1.62"	12.25"	13.00"
400/401/402 ①	American Metal Products	12-RC	12.00"	18.50"	11.62"	1.62"	12.25"	13.00"

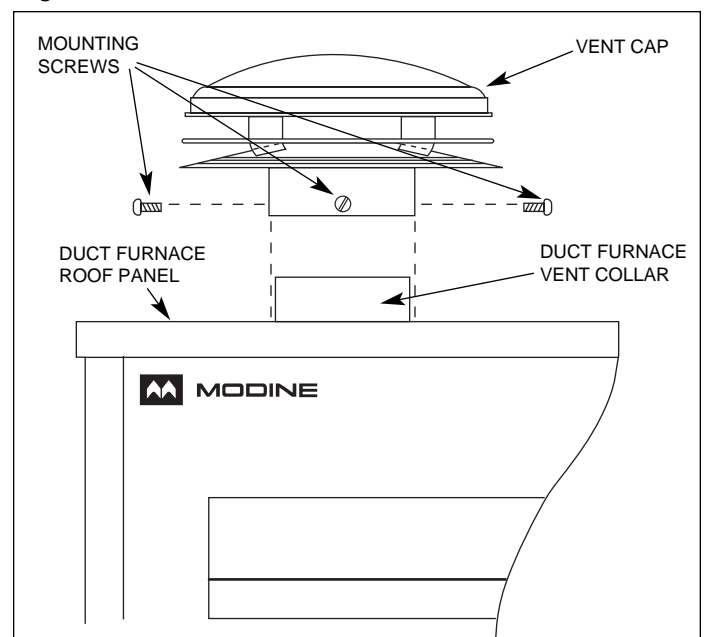
① Vent cap assembly also includes vent pipe extension and adjustable storm collar. See back page of this sheet for installation instructions.

Installation Instructions

Models 75–251/350/351/352

1. Inspect vent cap and check dimensions to be sure correct vent cap is being installed, based on weatherproof duct furnace MBH input. (See Table 1).
2. Place vent cap over vent collar of duct furnace and lower vent cap until it sits squarely on the roof panel of the duct furnace. (See Figure 3).
3. With vent cap in proper position drill three - 3/16" dia. clearance holes in vent cap and three - 1/8" dia. bite holes in duct furnace vent collar. Equally space these holes around the circumference of the vent cap.
4. Using sheet metal screws provided in the envelope assembly, securely fasten the vent cap to the duct furnace vent collar.

Figure 3



5-554.4 INSTALLATION & SUBMITTAL DATA

Figure 4

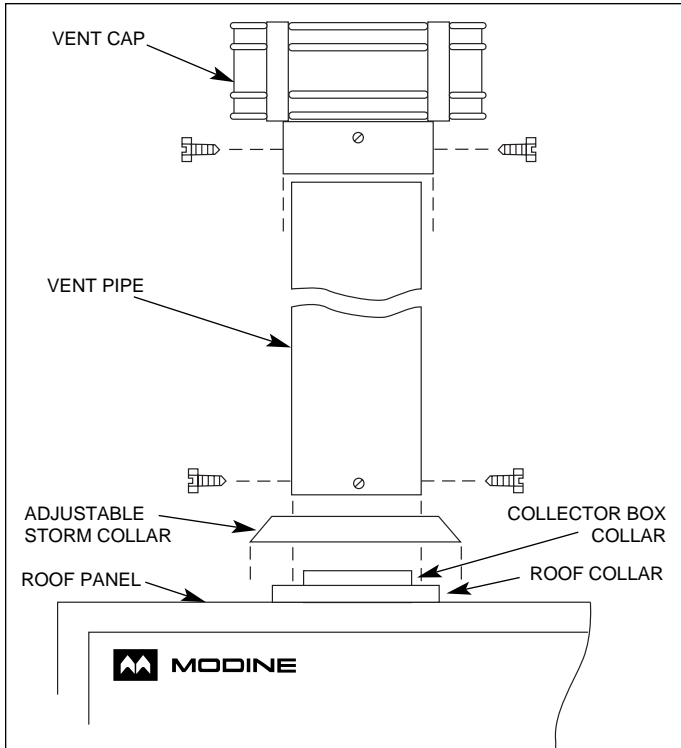


Figure 5

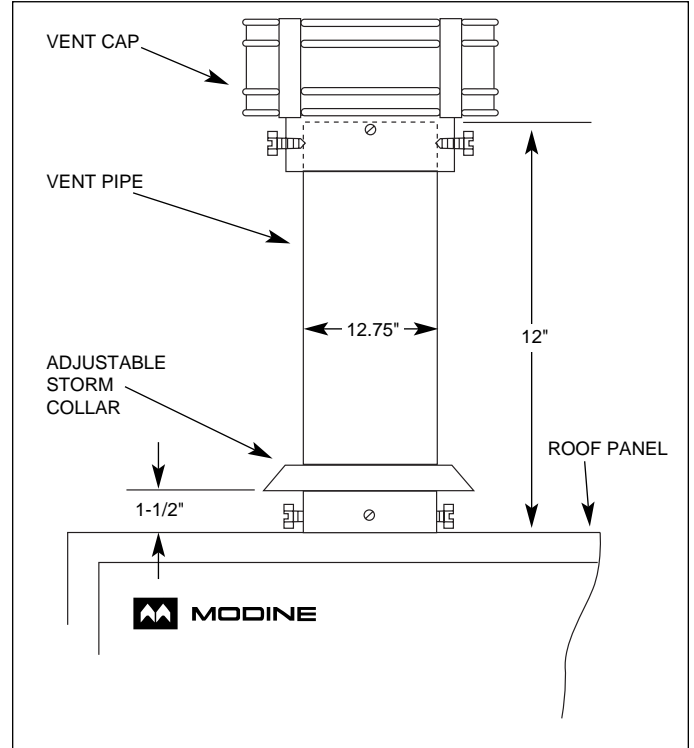


Table 2
Adjustable Storm Collar

Model	Adjustable Storm Collar		Size
	Vendor Number		
	American Metal Products	Hart & Cooley Inc.	
300, 301, 302	12RSC	12RS	12
400, 401, 402	12RSC	12RS	12

Installation Instructions

Models 300/301/302/400/401/402

1. Inspect parts of vent cap assembly and check dimensions to be sure correct kit is being installed based on model number (see Table 1 and 2).
2. Insert the vent pipe into vent cap. Drill three - 1/4" diameter clearance holes in vent cap and three - 1/8" diameter bite holes in vent pipe. Equally space these holes around circumference of the vent cap. Securely fasten the vent cap to the vent pipe using three sheet metal screws (#10-24 x 1/2").
3. Place vent pipe over collector box collar of duct furnace so that it sits squarely (See Figure 4). Drill three - 1/4" diameter clearance holes in the vent pipe and three 1/8" diameter bite holes in collector box collar. Equally space these holes around circumference of the vent pipe. Securely fasten the vent pipe to the collector box collar using three sheet metal screws (#10-24 x 1/2").
4. Spread the open end of the adjustable storm collar and wrap it around the vent pipe. With the storm collar set 1 1/2" above the duct furnace roof panel, secure the adjustable storm collar by inserting tab into slot and bending tab back against itself (See Figure 5).
5. Caulk around the top and bottom edge of storm collar. Use high temperature RTV caulk.