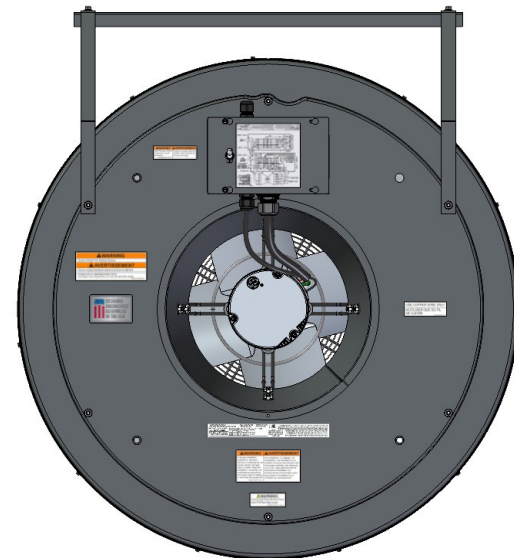
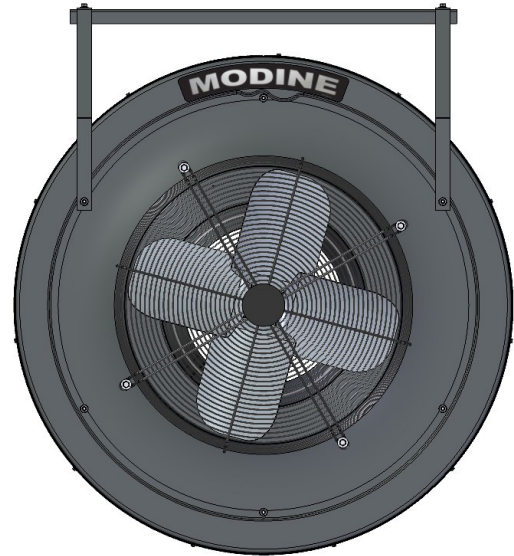
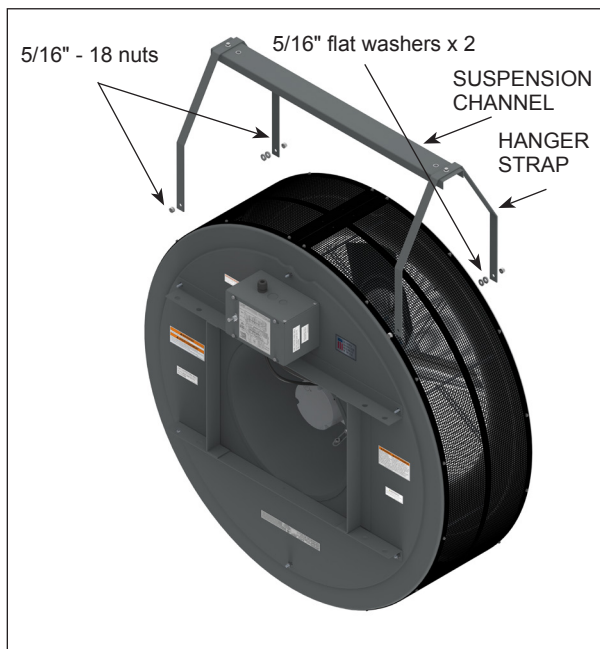


## INSTALLATION INSTRUCTIONS horizontal mounting bracket destratification fans DSU

### Application

This bracket kit is intended for applications where it is required that the DSU fan's air throw is horizontal instead of vertical-down. The kit will allow for easy assembly to the body of the fan via two hanger straps. The bracket and fan assembly can then be suspended from a ceiling or other suitable load-bearing structure with two 1/2"-13 threaded rods.



### Mounting

1. Assemble the two hanger straps to suspension channel with one 1/4" - 20 X 5/8" screw (by Modine) at each side.
2. Remove all four 5/16"-18 nuts from the through-bolts. Place two 5/16" flat washers over the two through-bolts on front side of fan only. Place hanger straps over all four through-bolts and replace the 5/16"-18 nuts.
3. Raise unit into position and fasten suspension channel to ceiling or other suitable load-bearing structure with two 1/2"-13 threaded rods.