



EWH ELECTRIC WALL HEATER

The EWH is a high-capacity fan heater that is engineered for vestibules, building lobbies, corridors, stairwells, workshops, factories, warehouses and more. Built with premium materials and precision craftsmanship, it delivers durability you can trust. Installation is a breeze with our streamlined design saving time and reducing complexity on the job site. Whether recessing in a wall or using the optional surface adapter, the EWH blends effortlessly to your space with multiple heating capacities, options, and colors.



APPLICATIONS

- Building Lobbies
- Corridors
- Stairwells
- Workshops
- Factories
- Warehouses

KEY FEATURES

Element: High-quality nichrome element delivering instant heat.

Control: Built-in thermostat (optional), control knob included for standard installation, without knob for tamper-proof installation.

Connection of multiple units to the same thermostat is possible with a relay kit (optional) and an external transformer (not provided).

Installation: Recessed or surface mounted with surface adapter (optional)

Warranty: Three years

Grille: Rounded sides for a clean, modern appearance

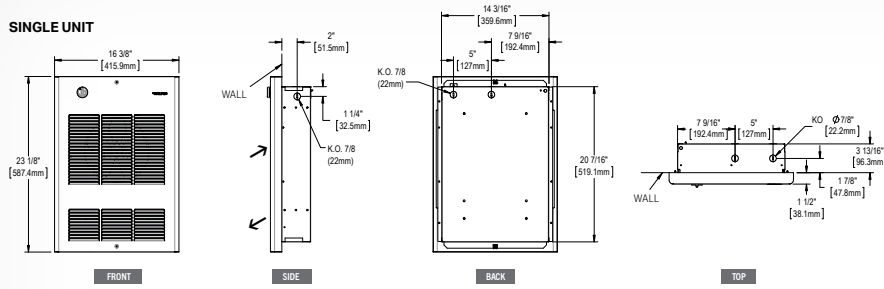
Models and heating capacities: Wide range of models, including 1,500W to 12,000W input and 120V to 480V.

Finish: Epoxy-polyester powdercoat (9 color options available)

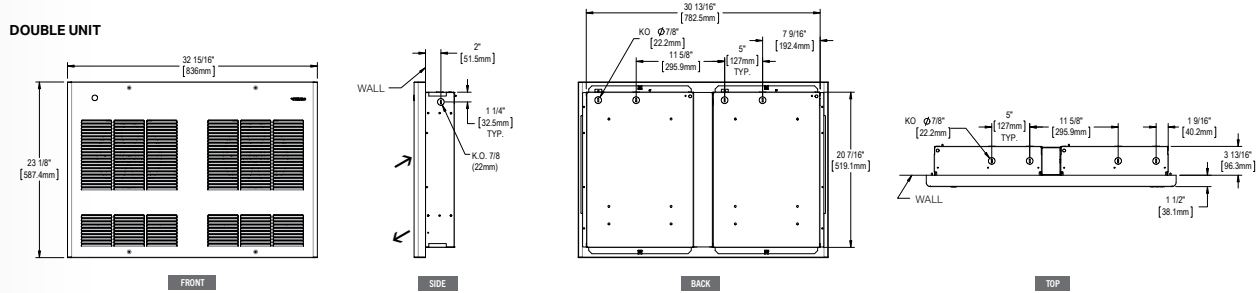
Optional disconnect switch available

Dimensions

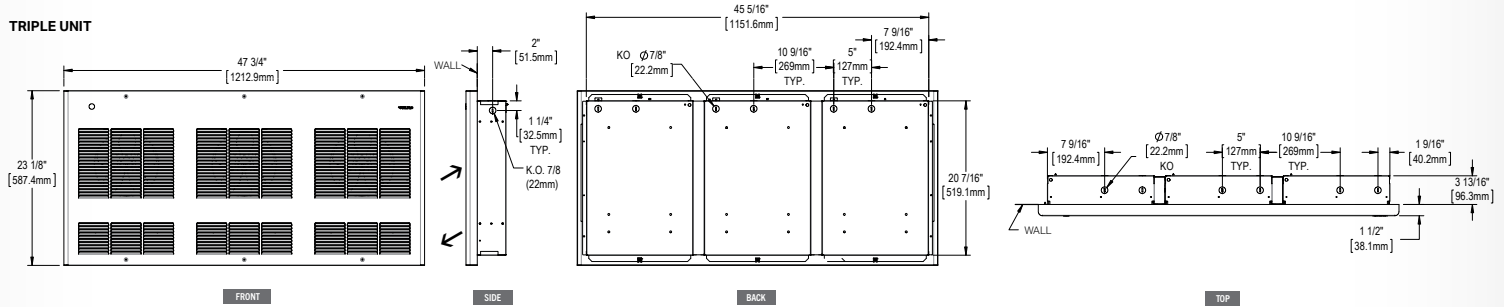
SINGLE UNIT



DOUBLE UNIT



TRIPLE UNIT



Performance Data

WATTS	BTU/H	VOLTAGES AVAILABLE	UNIT SIZES
1,500	5,119	120, 208, 240, 277, 480	Single
2,000	6,825	208, 240, 277, 480	Single
3,000	10,238	208, 240, 277, 480	Single
4,000	13,651	208, 240, 277, 480	Single
4,800	16,381	208, 240, 277, 480	Single
6,000	20,476	208, 240, 277, 480, 208 3P, 480 3P	Double, Triple
8,000	27,302	208, 240, 277, 480	Double
9,000	30,714	208, 240	Triple
12,000	40,952	208, 240, 277, 480, 208 3P, 480 3P	Triple

Accessories

PRODUCT	DESCRIPTION
XFT1	Built-in single pole thermostat [120 V-600 V] (standard or tamper-proof)
XFT2	Built-in double pole thermostat [120 V-600 V] (standard or tamper-proof)
TH140-28-01-B	Optional remote thermostat, low or line voltage
XFSA1**	Surface adapter (single unit)
XFSA2**	Surface adapter (double unit)
XFSA3**	Surface adapter (triple unit)
XFDIS-30*	Disconnect switch kit 600 V/30 A, 2 poles
XFDIS-40*	Disconnect switch kit 600 V/40 A, 2 poles/3 poles
XFDIS-60*	Disconnect switch kit 600 V/60 A, 2 poles/3 poles
XFC24RX	Relay kit without transformer 24 V

*Factory installed

**Color indicated by a single letter suffix at the end of product code

Color Options

STANDARD COLOR



ADDITIONAL COLOR OPTIONS



To learn more, visit
www.modinehvac.com
or call 800-828-HEAT

Follow us @ModineHVAC
See us at YouTube.com/ModineHVAC
www.facebook.com/ModineHVAC/
www.linkedin.com/company/modinehvac/

Modine Manufacturing Company
1500 DeKoven Avenue
Racine, Wisconsin 53403-2552

©2025 Modine Manufacturing Co.
2-110

